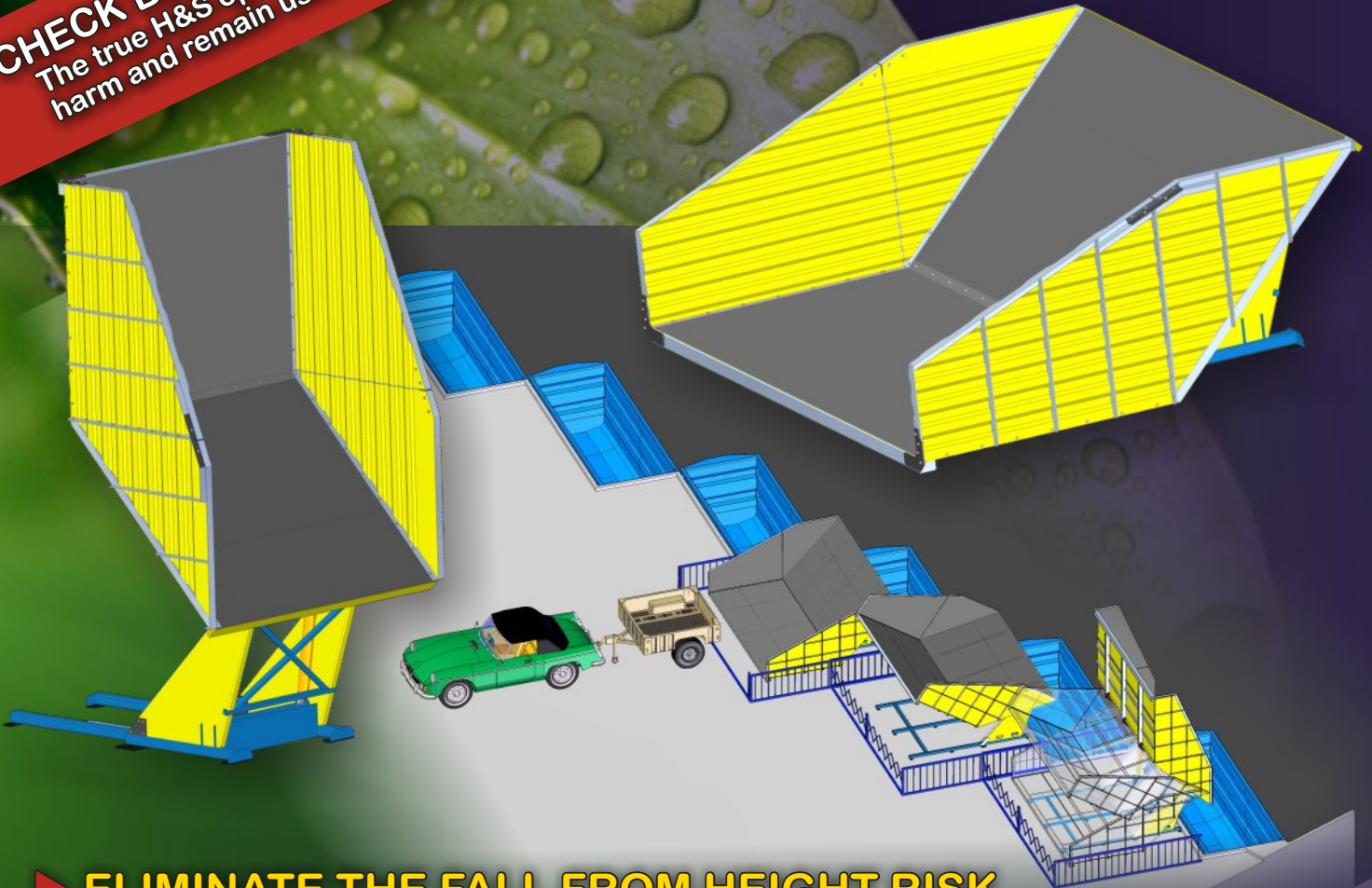


TIPWELL 3m & 5m

PCT/AU2010/000754

CHECK BEFORE YOU TIP!
The true H&S option to reduce
harm and remain user friendly

PREVENT DEATH or SERIOUS HARM



- ▶ **ELIMINATE THE FALL FROM HEIGHT RISK**
- ▶ **EASY TO RECOVER ITEMS BEFORE THEY ARE TIPPED INTO YOUR PIT OR OPEN TOP CONTAINER**

Manufactured to the highest standards by New Zealand's leading waste equipment supplier B J Scarlett Ltd


B.J. Scarlett Ltd

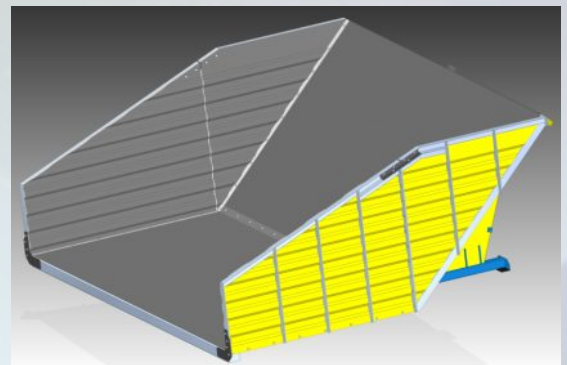
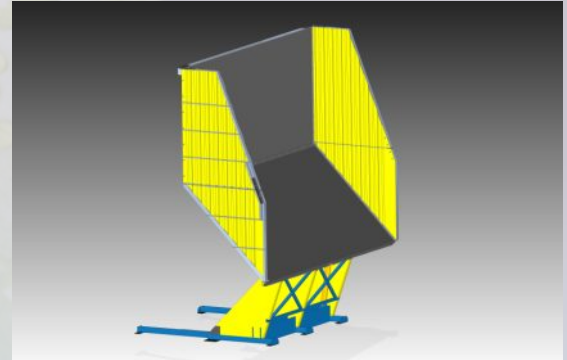
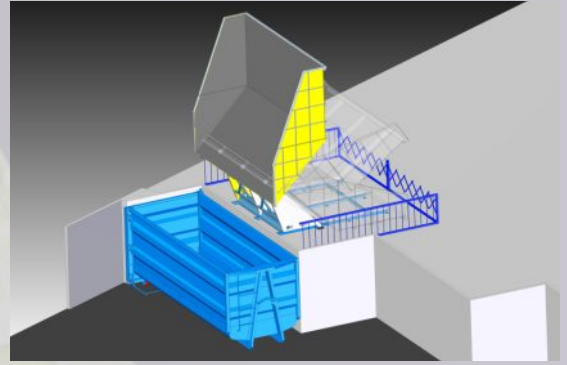
WASTE HANDLING ENGINEERS

www.scarlett.co.nz

Tipwell 3m & 5m Tipping Bins

SPECIFICATIONS

- Available in 3m & 5m widths
- Safety fence with interlocked gate for safe operation
- Engineered SWL
- Remote control options available.
- Run one or more units off the same hydraulic power unit saving costs.



Gary Fahey (Manager): 029 364 1910
Ph: 03 688 2900

Address: 4 Holmglen St, Washdyke, Timaru
PO Box 2070, Washdyke, Timaru

www.scarlett.co.nz